



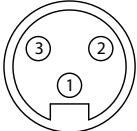
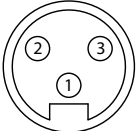
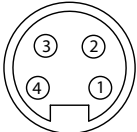
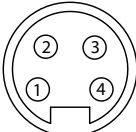
# 7/8" MIN Power Series Size I "T" Connectors

3 & 4 Conductor MIN Power Series Size I "T" Connectors



"T" Connectors | 600 Volt, 18 amps | 600 Volt, 15 amps | IP67 Rating

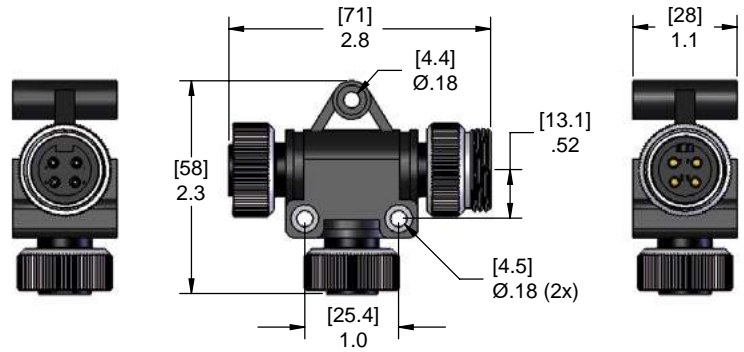


| # of Poles | Male Faceview   | Rating      | Part Number   | Wiring   | Female Faceview   |
|------------|---|-------------|---------------|--|---|
| 3          | <br>7/8"-16UN2 | 600V<br>18A | MINH-3MFF-T-B | 1 to 1 to 1<br>2 to 2 to 2<br>3 to 3 to 3                | <br>7/8"-16UN2 |
| 4          | <br>7/8"-16UN2 | 600V<br>15A | MINH-4MFF-T-B | 1 to 1 to 1<br>2 to 2 to 2<br>3 to 3 to 3<br>4 to 4 to 4 | <br>7/8"-16UN2 |

Stainless Steel Couplings available; please consult the factory for part number and availability.

**Specifications:**

- Body: Oil Resistant PVC
- Contacts: Copper Alloy with Gold Plating
- Coupling Nut: Clear Anodized Aluminum
- Temperature: -40°C to +105°C (-40°F to +221°F)



ALL THREADS 7/8-16 UN

D  
MIN Power Cordsets